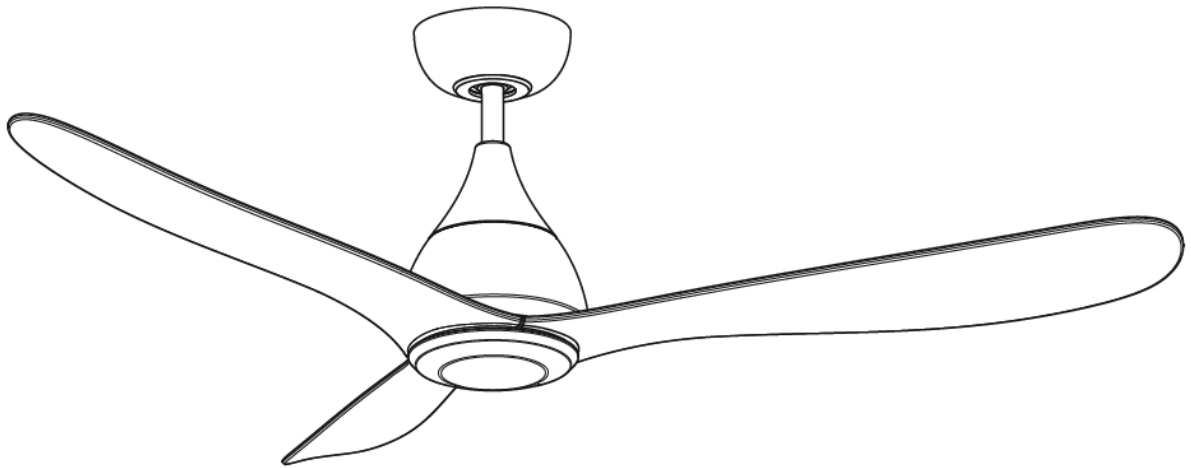




132CM (52") DC CEILING FAN



LUMINA

INSTALLATION & OPERATION INSTRUCTIONS MANUAL

CAUTION

**READ INSTRUCTIONS CAREFULLY FOR SAFE
INSTALLATION AND FAN OPERATION.**

Installation Instructions - Lumina.52 DC Ceiling Fan

Caution: Ceiling fans must be installed by a licensed electrician

PLEASE READ THIS IMPORTANT INFORMATION BEFORE COMMENCING INSTALLATION

THIS CEILING FAN, AND ANY ASSOCIATED ACCESSORIES, MUST BE INSTALLED BY A LICENSED ELECTRICIAN, IN ACCORDANCE WITH THE CURRENT WIRING RULES AND THESE INSTRUCTIONS.

WARRANTY

GENERAL

This fan is guaranteed against electrical and mechanical defects for the time specified on the Warranty Card, when used under normal circumstances in a domestic residential situation.

The installation by anyone other than a licensed electrician will void the warranty on this fan and/or associated accessories.

Installation by a licensed electrician is required by law, and should an on-site warranty claim be made, we must ensure that our personnel are suitably protected from the risk of electrical shock. Details of the installing electrician will be required, and verified, before any on-site work is performed.

Damage caused by incorrect installation is not covered under the warranty. Warranty repair does not cover damage resulting from electrical surges, lightning, power grid voltage fluctuations or connection to alternative power supplies (eg solar inverters or similar systems). Damage caused by rough handling during installation (scratches, chips etc) are not covered under warranty. If a fan is found to be marked when unpacked - it should not be installed, but should be returned to the place of purchase.

This ceiling fan is not suited to wet locations, and any damage or deterioration as a result of exposure to water or caustic chemicals is not eligible for warranty repair or replacement. In some circumstances it can be installed in an "alfresco" area, but should not be exposed to direct sprays of water, rain or corrosive elements (eg salt air/wind, chemicals). Deterioration in the finish of the fan, or motor failure, as a result of exposure is not covered under the warranty.

Should on-site warranty service be required, the cost of providing, installing and operating any special equipment (eg scaffolding, scissor lifts or alike) to access ceiling fans shall be borne by the site owner. In-home warranty applies to fans installed in a domestic, residential application. For fans installed in homes outside major cities, please see our website for regional in-home coverage and conditions.

BLADES

This ceiling fan is supplied with a matched set of blades. Blade sets should not be mixed or exchanged between fans, unless as a complete set. The use of blade sets of another size or shape than those supplied will void warranty, and may increase the risk of fan failure or fire. Balancing of the blades may be required at installation and is not covered under warranty. A blade balancing kit is supplied with this fan.

Blades should not be attached to the fan motor until it is hanging properly from the ceiling. Installing the blades on the floor or bench may damage or bend the blades.

REMOTE CONTROL

This fan is supplied with a dedicated remote control. The installation of an "all pole isolation switch" is required with this fan. The remote control supplied is specific to this range of DC fans, and any modification or substitution may damage the fan and will void warranty.

ACCESSORIES

There are accessories available for this VAM ceiling fan. They include an LED LIGHT KIT and extension down-rods. Only approved accessories should be used.

Installation Instructions - Lumina.52 DC Ceiling Fan

Caution: Ceiling fans must be installed by a licensed electrician

GENERAL INFORMATION

The information contained in the following pages has been prepared to assist in achieving trouble-free installation and operation of your Ceiling Fan.

Not all ceiling fans are identical, and this high quality DC ceiling fan should be installed with care following the instructions in this manual to give the best performance and many years of trouble-free service.

To ensure the success of the installation be sure to read the instructions and study the diagrams thoroughly.

For your safety, all electrical connection and disconnection must be performed by a Licensed Electrician.

All electrical work should only be undertaken after disconnection of the power by removing fuses or turning off the circuit breaker to ensure all pole isolation of the electrical supply.

Make sure that your installation location will not allow the rotating fan blades to come into contact with any object and that there is a minimum clearance of 30cm from the blade tip to the wall or nearest object. Please note that the bigger this clearance is the better the airflow from your fan will be. Ensure the blades are mounted at a minimum height of 2.3 meters from the floor when the fan is installed.

The fixing point for the fan must be able to support a weight of at least 30kg.

The fan must be earthed.

Do not connect the fan motor to a dimmer switch and any other fan controller. This may give an unsatisfactory performance (motor hum) and cause damage to the motor. The use of a double pole isolation switch is required. Only use the supplied fan controller/ remote to turn on and turn off the fan.

The fan must be turned off and stopped completely before reversing the fan direction. This will prevent any damage to the DC motor or the electronic fan controller.

Do not insert anything into the fan blades while the fan is operating, as this may cause personal injury, damage the blades, and upset the balance of the unit causing it to wobble.

After the fan is completely installed make sure that all connections are secured and tightened to prevent any noise problems from loose parts.

Because of the fan's natural movement, some connections may loosen. Check the support connections, brackets and blade attachments twice a year to make sure they are all secured. If they are loose, tighten with a screwdriver.

Note: The important safeguards and instructions given in this manual are not meant to cover all possible conditions and situations that may occur. It must be understood that common sense, caution and care are factors, which cannot be built into any product. The persons using the unit must act with care and caution, and properly maintain it to ensure safe and trouble-free operation.

Installation Instructions - Lumina.52 DC Ceiling Fan

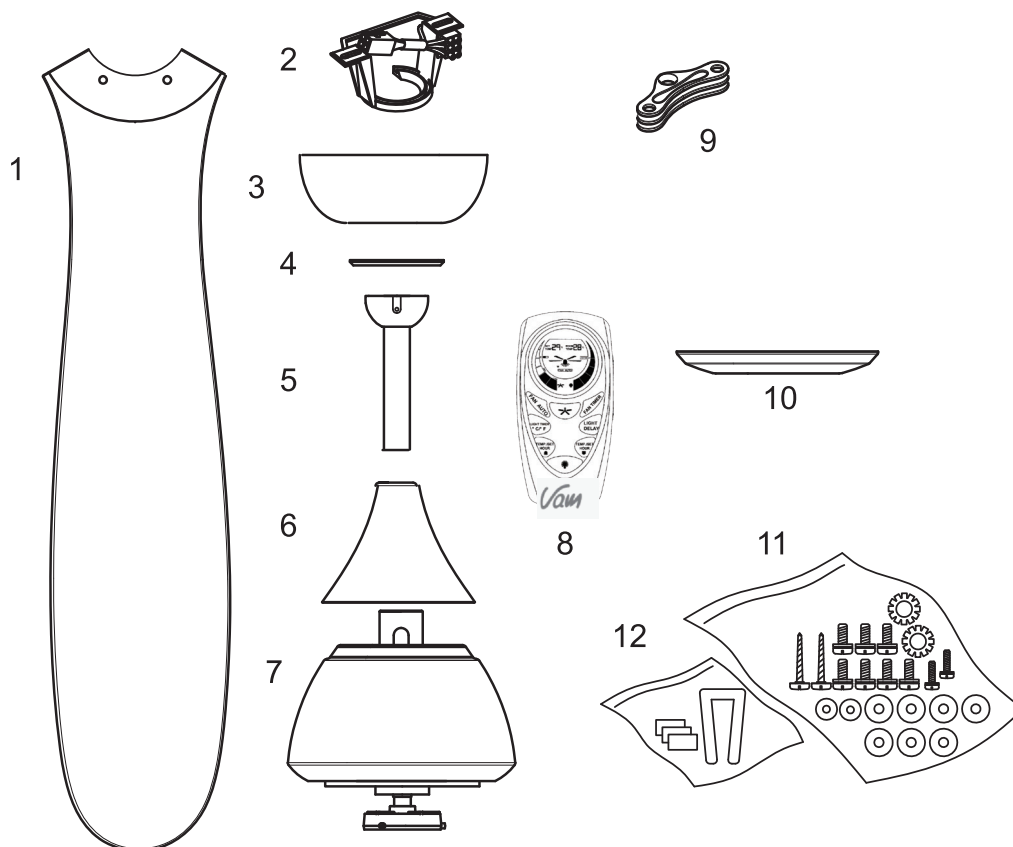
Caution: Ceiling fans must be installed by a licensed electrician

BEFORE YOU START

Unpack the ceiling fan carefully - place the fan motor and blades on a cloth or soft surface, to avoid damaging the finish.

Check that all the parts are there before you start, including any accessory parts you may require. If a fan is found to be marked when unpacked, or has parts missing - it should not be installed, but should be returned to the place of purchase. [This is not covered under an in-home warranty]

1. Blades x 3
2. Mounting hanger bracket x 1
3. Canopy x 1
4. Canopy cover (decorative trim) x 1
5. Down rod x 1
6. Yoke cover x 1
7. Fan motor assembly x 1
8. Remote transmitter with holder x 1 set
9. Blade bracket kit x 3
10. Base cover plate
11. Screws pack
12. Blade balancing kit
13. Screw for remote holder x 2 (not shown)
14. 12V Battery for remote x 1 (not shown)



Installation Instructions - Lumina.52 DC Ceiling Fan

Caution: Ceiling fans must be installed by a licensed electrician

REMINDER!

Before any electrical work is commenced, ensure that the supply power is disconnected.

This Ceiling Fan must be installed by a licensed electrician, according to the current wiring rules.

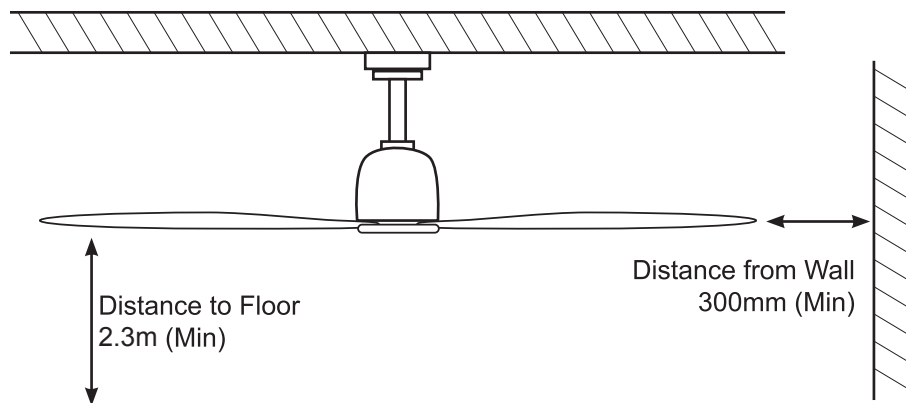
This Ceiling Fan, and any light attached, must be earthed.

This Ceiling Fan must be firmly screwed to a solid structure capable of supporting 30KG.

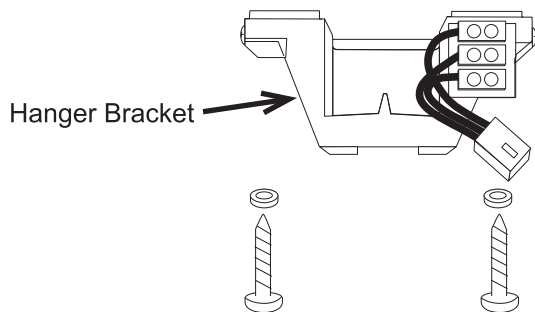
After installation the fan blades must be at least 2.3m (8.5 feet) above floor level.

This Ceiling Fan is not intended for operation by young children or the infirm - unless under supervision.

Ensure appropriate distances from walls, and from the floor, are observed when installing the fan. Make sure that the blades will not hit anything when the fan is being tested, or operating.



INSTALLATION PROCEDURE



! Failing to use all of the screws and bolts supplied to install the fan is a safety hazard, and could result in serious injury.

(1) Installing the Hanger Bracket

The hanger bracket should be fixed to a firm flat surface using appropriate fixings. The fixings should be screwed into a joist or timber noggin between joists capable of supporting 30kg. Under no circumstances should the hanger bracket be mounted onto plasterboard alone.

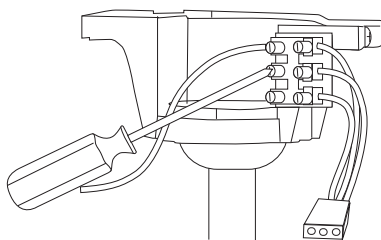
The screws supplied are for a standard timber noggin installation. For other structure appropriate fixings must be used.

! The fixing screws supplied are for use with timber. If mounting on another material, appropriate fixings should be used.

(2) Make the electrical connection

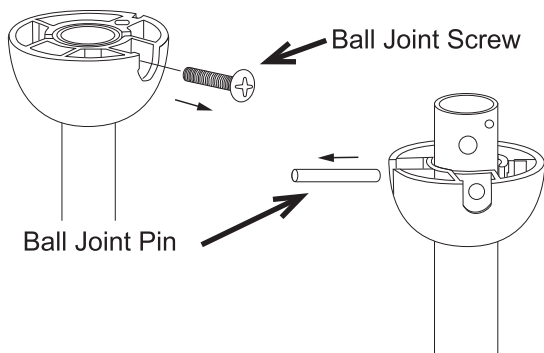
Connect the incoming power supply to the Terminal Block, following the markings in accordance with the wiring rules.

! For the safe use of this fan an ALL POLE disconnection/isolation switch must be incorporated into the fixed wiring.



Installation Instructions - Lumina.52 DC Ceiling Fan

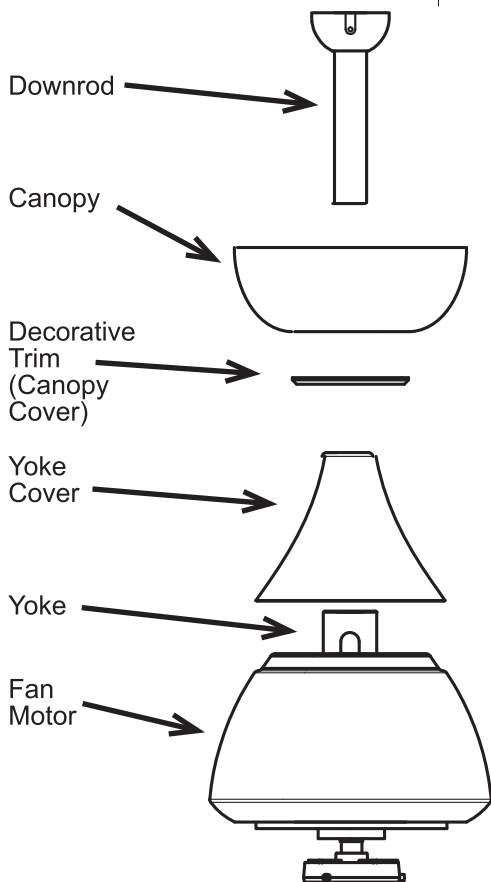
Caution: Ceiling fans must be installed by a licensed electrician



(3) Assembling the Down Rod and Canopy

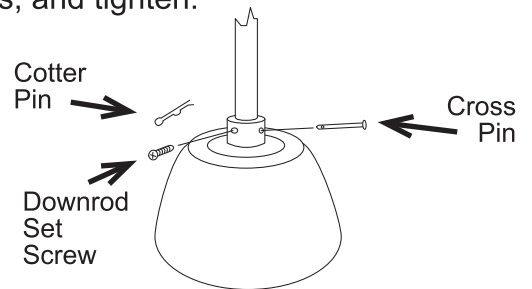
Unscrew the Ball Joint Screw and remove the Ball Joint Pin, allowing you to remove the Ball Joint from the Down Rod.

! There are a number of screws and bolts used when hanging the fan. All must be tightened to ensure that the fan will run smoothly.



Thread the Wiring through the Yoke Cover, Decorative Trim, Canopy and Down Rod, and seat the Down Rod into the top of the Fan Motor Housing. Align the holes and insert the Down Rod Cross Pin (making sure that none of the wiring is damaged) and insert the cotter pin. Insert the additional Down Rod Set Screw/s, and tighten.

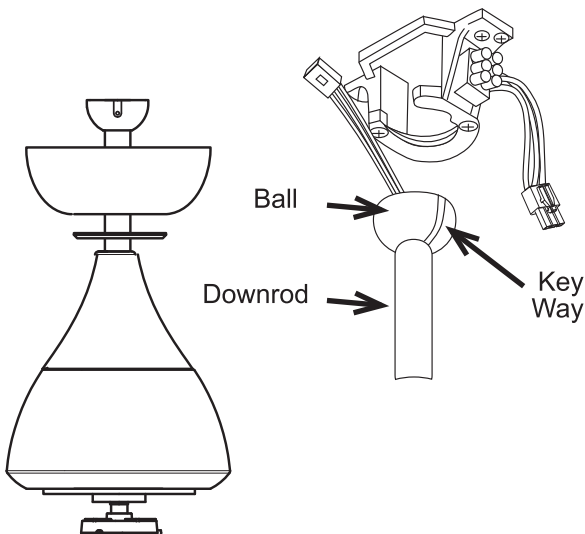
! The Down Rod Set Screw/s provided must be used to ensure that the fan is stable.



Slide the Yoke Cover down over the fan yoke.

Re-assemble the Ball Joint, ensuring the correct placement of the Ball Joint Pin and Ball Joint Screw.

! The assembly of the Down Rod and Canopy should be done with hand-tools, rather than power tools.



(4) Hanging the Fan

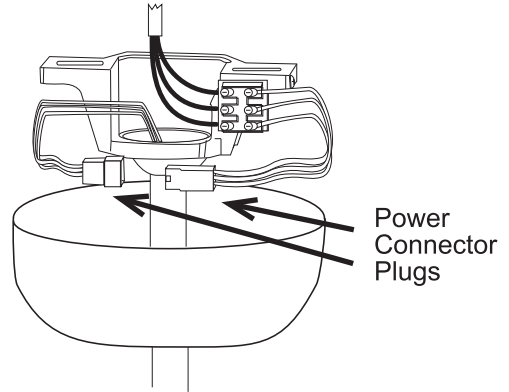
Lift the fan and hang it on the Hanger Bracket by carefully seating the Ball Joint into the Hanger Bracket. Make sure that the Key-Way on the Ball Joint is aligned with the tab on the Hanger Bracket.

Installation Instructions - Lumina.52 DC Ceiling Fan

Caution: Ceiling fans must be installed by a licensed electrician

(5) Plug in the Ceiling Fan

Once you are sure that the Ceiling Fan is hanging correctly, connect the plugs from the Ceiling Fan into the socket on the Hanger Bracket. Make sure that it is firmly connected.

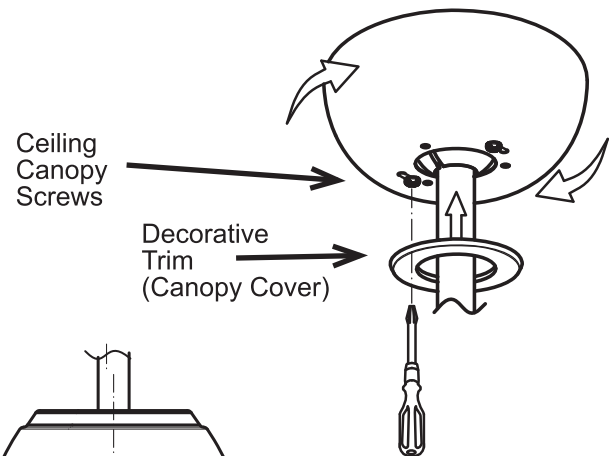


! Do not remove the PLUG/S from the Wiring. Do not modify the wiring in any way.

! Take Care when joining these plugs! Incorrect alignment could result in the plug pins becoming dislodged, and the fan not working.

(6) Attach the Ceiling Canopy

Slide the Ceiling Canopy up over the Hanger Bracket and twist the Canopy and tighten the Ceiling Canopy Screws. Cover the screws with the Decorative Trim (Canopy Cover).

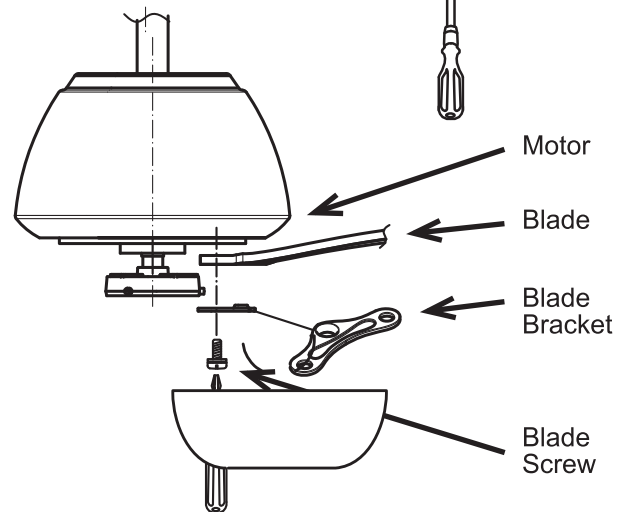


(7) Attaching the Blades

Each blade is attached with a blade bracket. Ensure that the correct surface of the blade is facing upwards.

Attach the Blades to the Fan Motor Housing, inserting the screws through the blade bracket, through the blade and into the motor.

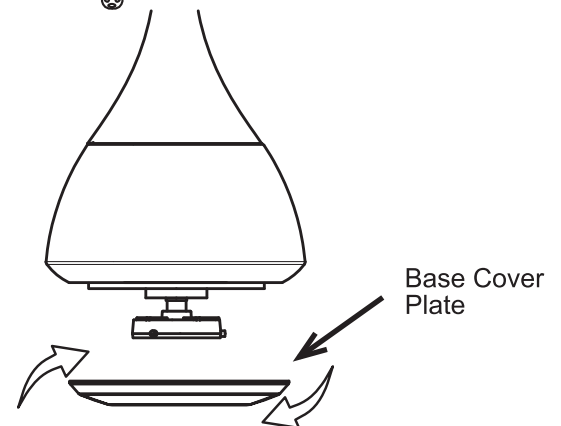
Tighten firmly using a hand tool and do not over-tighten.



! The blades supplied with this fan are a "matched set" of 3. They should not be mixed with blades from another fan!

(8) Attach Base Cover Plate OR Install Light Kit (available as an accessory)

Attach Base Cover Plate by carefully aligning and twisting it on, making sure it is firmly in place.



! If you are installing the optional LED LIGHT KIT please refer to the installation instructions supplied with the kit.

Installation Instructions - Lumina.52 DC Ceiling Fan

Caution: Ceiling fans must be installed by a licensed electrician

REMOTE RECEIVER & TRANSMITTER FOR DC FAN OPERATION

By default, every fan has been pre-configured at the factory and should be fully functional once installation is complete and power to the fan motor has been switched on.

Remote receiver and remote handset (the transmitter) for this ceiling fan must be correctly paired before the fan can be fully functional. During a pairing process, the receiver learns and recognises the unique ID of the transmitter hence this is also called a learning process. In addition, the receiver will perform an advanced self-characterisation procedure for optimum fan performance during the pairing process.

Unless a successful pairing process for the fan has been completed either by the factory or by the user, the fan may work partially at some settings or may not work at all.

Should you find the fan or the remote controller not working or not fully functional after installation or during use, pairing of the remote controller can be done by following simple procedures outlined below. Note, however, that there could be other reasons as to why a fan or a remote controller is not working:

- Make sure all wiring connections have been properly made and are secure
- Make sure battery is present in the handset battery compartment
- Make sure battery is not flat or has turned weak
- Make sure all switches (mains & isolation) of the power supply to the fan motor is turned on

! For the safe use of this fan an ALL POLE disconnection/isolation switch must be incorporated into the fixed wiring. The ALL POLE switch is essential to properly complete the remote pairing process.

SAFETY FEATURES OF THE REMOTE CONTROLLER

INSTALLATION PREPARATION:

Before carrying out the installation the following must be considered.

- 4 x AAA 1.5V (size) Batteries are required to operate the remote controller. Remove the battery cover from the back of the remote and insert 4 x AAA. Ensure the polarities are correct as shown in the battery compartment, and that the batteries are all fresh batteries. (Batteries not included)
- The remote (transmitter) and receiver must be configured so that communication between each other is paired up. This is achieved by setting the DIP Switch on the receiver and remote on the same setting.

Note: The DIP switch assembly has 4 switches which can be setup to 16 different transmitting code combinations. This is practical when there is more than 1 remote/receiver pair operating locally or in the same room.

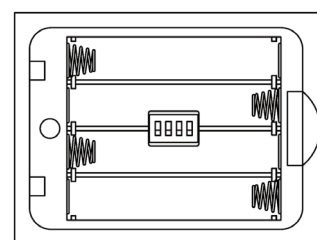


Fig.1 Battery compartment

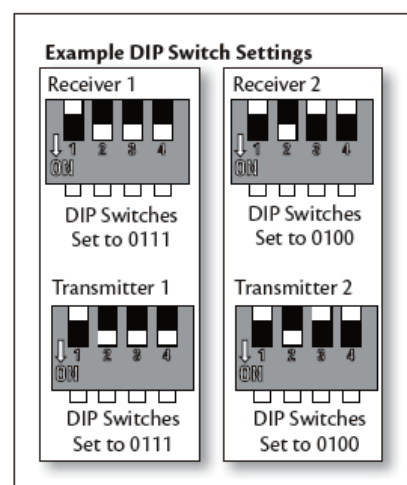


Fig. 2 Dip switch

Installation Instructions - Lumina.52 DC Ceiling Fan

Caution: Ceiling fans must be installed by a licensed electrician

OPERATING THE REMOTE:

ICONS ON THE REMOTE LCD PANEL

Before you start using the remote, take the time to read through this section and get familiar with the button and function of each button.

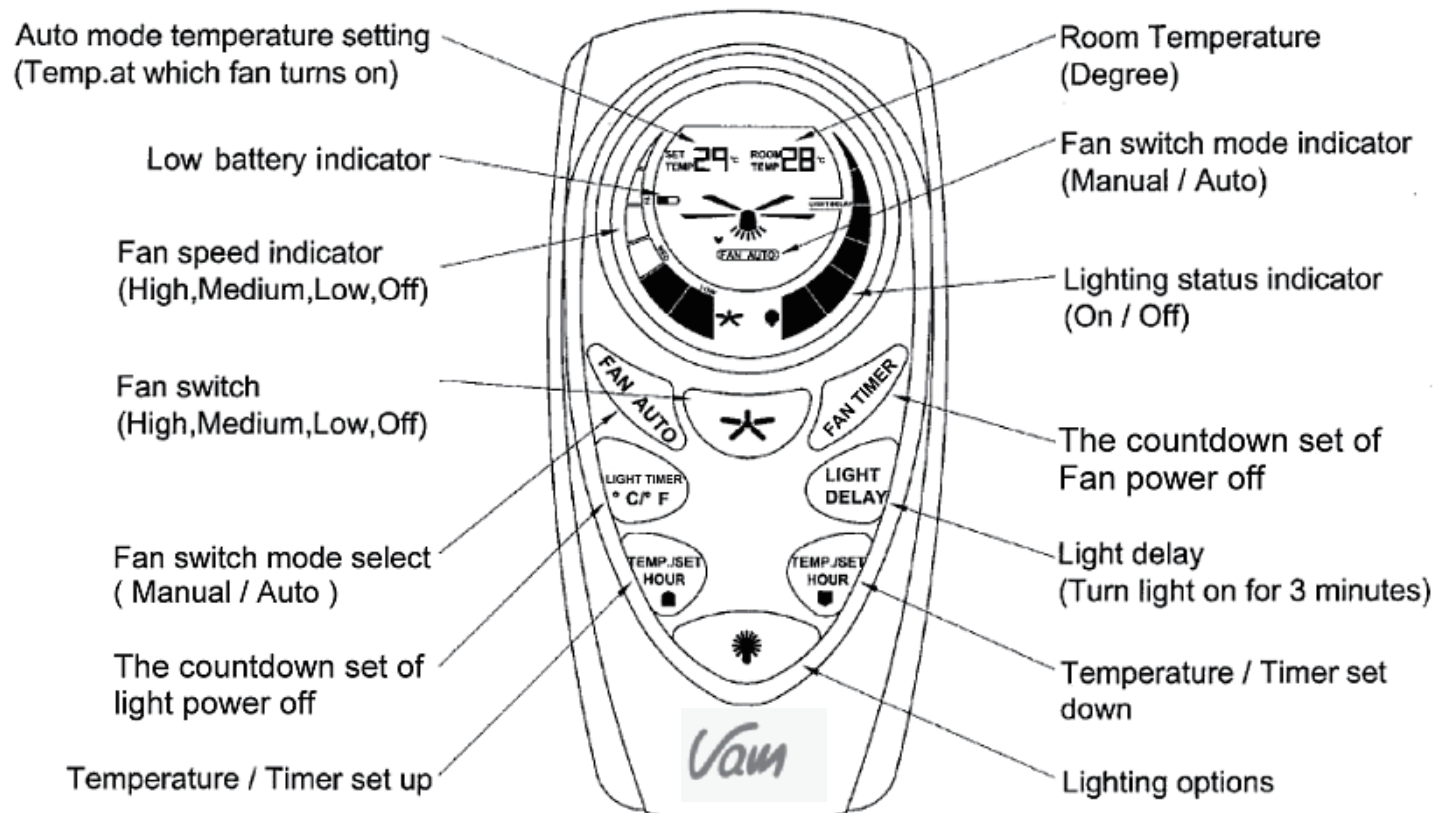


Fig. 5

Auto mode temperature/fan timer setting indicator:

This indicator display the temperature setting of the fan in FAN AUTO mode, and the FAN TIMER value which switch off the fan at the pre-set time. The indicator will switch every 2 second to display set temperature and fan timer respectively.

Room temperature / Light timer indicator:

This indicator displays the Room ambient temperature, and the LIGHT TIMER value which switch off the lamp at the pre-set time. The indicator will switch every 2 second to display Room temperature and Light timer respectively.

Low Battery indicator:

When the battery low indicator is flashing, that means battery power level is low, please replace the batteries immediately.

Fan speed indicator:

Display the fan current fan speed level (high, medium, low, off)

Installation Instructions - Lumina.52 DC Ceiling Fan

Caution: Ceiling fans must be installed by a licensed electrician

Fan switch mode indicator:

Indicate the fan is operating in MANUAL mode or FAN AUTO mode

Lighting status indicator

Display the current light function ON or OFF

OPERATING THE REMOTE:

FAN AUTO: Press the button to switch from FAN AUTO mode to MANUAL mode.

FAN SWITCH: Press the button to set fan running at HIGH – MEDIUM – LOW – OFF speed.

FAN TIMER: Press the button to start programming the timer to switch the fan off automatically, or to cancel the timer.


LIGHT TIMER and TEMPERATURE Unit indicator (°C / °F) :

Press the button once to start programming the timer to switch off the light automatically, or to cancel the timer.

Press and hold the button for 10 seconds to switch from degree Celsius to degree Fahrenheit display.

LIGHT DELAY: Press the button to activate the light delay function, which will turn off the fan 3 minutes later.

Temperature / Timer  : Set the temperature and time up

Temperature / Timer  : Set the temperature and time down

LIGHT switch: Press the button to turn ON/ OFF the light.

FAN AUTO Function

FAN AUTO function allows the fan to operate more efficiently with the use of the in-built thermal sensor. Press the **FAN AUTO** button to activate FAN AUTO function, and then press the **UP/ DOWN** buttons to set the temperature at what you preferred. The fan will run at the HIGH, MEDIUM, LOW or OFF speed automatically via comparing to room temperature as following:

Room temperature is lower than setting temperature: → OFF

Room temperature is equal to the setting temperature by 0 °C: → LOW

Room temperature is higher than setting temperature by 2 °C: → MED

Room temperature is higher than setting temperature by 4 °C: → HI

Press the **FAN AUTO** button again to turn off the FAN AUTO function.

FAN TIMER Function

Press the **FAN TIMER** button to activate the timer function, and then press the **UP/ DOWN** buttons to set the time at what you preferred. The fan and light will turn OFF at the set time. Fan timer can be cancel anytime by setting the timer to 0 (zero hours).

LIGHT TIMER Function

Press the **LIGHT TIMER** buttons to activate the timer function, and then press the **UP/ DOWN** buttons to set the time at what you preferred. The light will turn OFF at the set time. Light timer can be cancel anytime by setting the timer to 0 (zero hours).

NOTE: When using the FAN AUTO Function and TIMER function, ensure the remote is in the same room or within the transmission/receiving range.

Installation Instructions - Lumina.52 DC Ceiling Fan

Caution: Ceiling fans must be installed by a licensed electrician

BALANCING / WOBBLING

Please note that all ceiling fans are not the same, even in the same model—some may move more or less than others. Movement of a couple of centimetres is quite acceptable and does not suggest the fan will fall down.

Even though all blades are weighted and grouped by weight, it is impossible to eliminate wobble altogether. This should not be considered a fault. Ceiling fans tend to move during operation due to the fact that they are not generally rigidly mounted

You may do the following action to reduce the wobbling

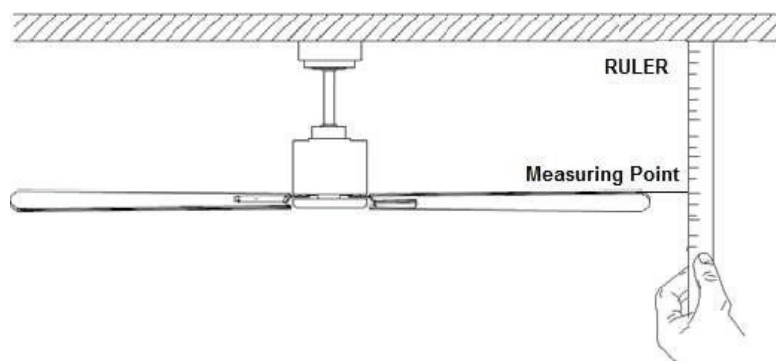
1. Check all the blade mounting screws are tightened and securely.
2. Wobbling problems may result from inconsistent blade level. To check blade level, measure the distance from each blade tip to the ceiling.

Note: If measurements are inconsistent:

check blade mount screws are not over tightened or loose, which can cause the blade tip to not all sit level;

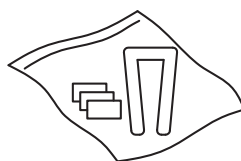
An out of shape blade can cause wobbling, check by removing the blade and lay in on a flat surface. Compare the set of blades to check all are the same shape and size.

3. Blade tracking may be checked simply by use of a household ruler as shown in below Figure. Place the ruler vertically against the ceiling and even with the outside leading edge of a blade. Note the distance of the edge of a blade same as others. Turn the blade slowly by hand to check the remaining blades. If a blade is not in alignment, the blade is either out of shape / warped or the blade screws are not evenly tightened or are loose.



BALANCING KIT

1. A Balancing Kit is provided to balance the ceiling fan on initial installation. Please refer to the instruction on how to use the Balancing Kit, that is included
2. The balancing kit can be used to assist re-balancing if the ceiling fan becomes un-balanced overtime. Do not discard the balancing kit. Retain for possible future use.



GENERAL OPERATION & TROUBLE SHOOTING

The following information has been prepared to assist the installing electrician, and the consumer, to obtain the best performance from their VAM Ceiling Fan.

Operating the Fan - For the first time

Ensure that all screws are tightened, and electrical connections safe. Make sure that the fan can spin freely, and that the blades are not going to come into contact with anything. Make sure that the power is now on, and that there is power coming to the fan. Once this is done, start the fan in high speed and run the fan at high speed for up to 8 hours to settle the fan in.

Ceiling fan motors, like all electric motors, may feel hot to touch when they are operating. This is normal and not a fault. All electric motors have some audible noises, these running noises are not a fault, and not covered under the warranty.

Trouble Shooting

Difficulty starting, or won't start - Check all electrical connections (including the wall controller); check the Summer/Winter selection, and ensure that the fan is spinning in the correct direction; try starting in the highest speed.

Poor air movement - Your fan may be running in reverse (Winter mode), check the Summer/Winter selection is correct. If your fan has been shortened there may not be enough distance from the blades to the ceiling. Your fan may not be appropriate for the room it is being used in. Fan wall controllers are matched to the specific fan model to achieve best performance - This fan can only be operated using the remote supplied. Using a wall control or a substituted remote control will not work and will void the warranty.

Fan is noisy - If it is a "mechanical" noise - Check that the blades are tight; that any glass / light fitted is secure; that all wiring is clear of any moving parts.

Some "electrical" noises can occur in the evening or early morning. These small noises are often caused by the electrical pulses sent down power lines to activate off-peak hot water systems. They are not a fault in the fan. **These noises are often unavoidable and are not covered under warranty.**

Fan wobbles or vibrates - As ceiling fans spin they do tend to vibrate, particularly at high speed. They are designed with flexible "ball" joints to allow for some movement. If your fan wobbles or vibrates excessively it may be due to loose blades or unbalanced blades. Always ensure that all blades are firmly fixed to the fan, with all screws and bolts tightened. Never mix blades between fans. If required, each fan is supplied with a Blade Balancing Kit - with simple to follow instructions. Fans with extended down rods may tend to wobble more than when used with their standard down rod. It is important to "balance" a wobbling fan as soon as possible to avoid longer term damage. For further information on FAN WOBBLE see the section of this manual covering fan wobble and fan balancing. **Fan balancing is not covered under warranty.**

Remote Control not working - If the remote is not functioning check that the battery in the transmitter is fresh, and not flat; have your electrician confirm that power is coming to the fan and that all connections have been made. Check that the remote has been properly "paired" with the fan (refer detailed instructions in this booklet).

Maintenance

To keep your Ceiling Fan looking good, and working properly, regular dusting and cleaning (with non-abrasive cleaners) is essential. A build-up of dust and dirt looks ugly and it will reduce the performance of your fan. Over time your fan may need re-balancing.

Only VAM FANS accessories, Fan Remote Kits and Extension Down Rods should be used with VAM FANS.



www.vam.com