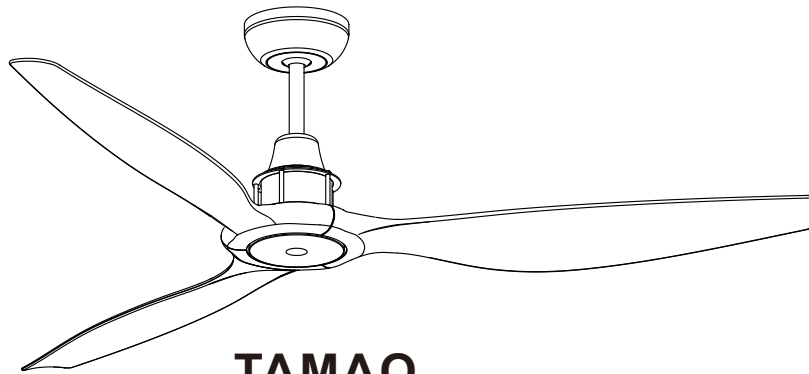


# VQM

## Owners Manual



**TAMAO**

DO NOT CONNECT TO DIRECT POWER, DO THE WIRE CONNECTION BY READING PAGE. 5

**CE**

Net weight

7.0 KGS.

15.4 LBS.

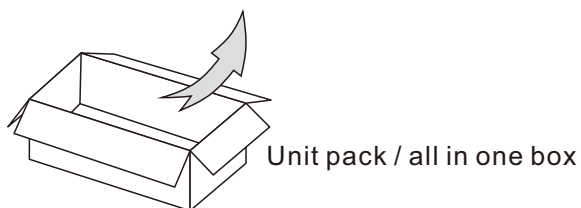
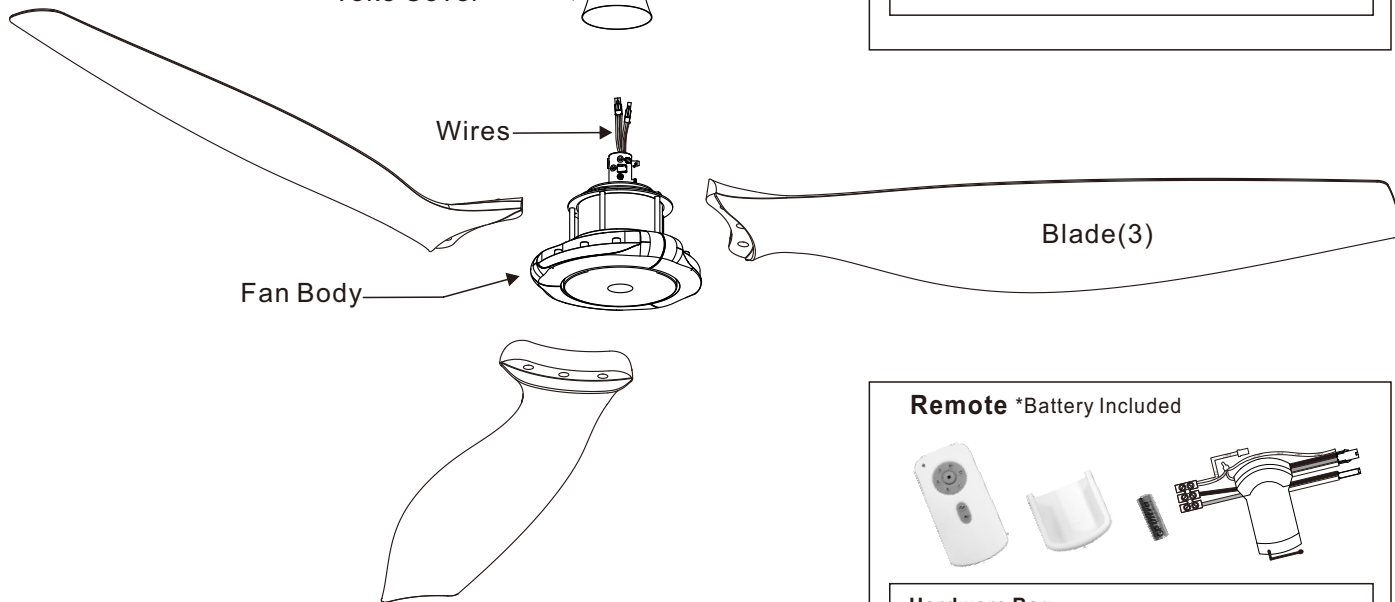
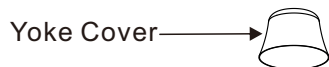
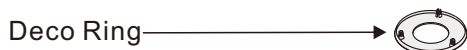
**WARNING :** Read and follow these instructions carefully and be mindful of all warnings shown throughout.

# READ AND SAVE THESE INSTRUCTIONS

**WARNING : TO REDUCE THE RISK OF FIRE, ELECTRICAL SHOCK, OR INJURY TO PERSONS, PLEASE OBSERVE THE FOLLOWING :**

- 1]. To ensure the success of the installation, be sure to read the instructions and review the diagrams thoroughly before beginning.
- 2]. **To avoid possible electric shock, be sure electricity is turned off at the main power box before wiring.**  
All electrical connections must be made in accordance with local codes, ordinances and/or the National Electric Code. If you are unfamiliar with the methods of installing electrical wiring and products, require the services of a qualified and licensed electrician as well as someone who can check the strength of the supportive ceiling members and make the proper installations and connections.
- 3]. Make sure that your installation site will not allow rotating fan blades to come in contact with any object when fan is in operation. **Blades must mounted at least 7 feet from the floor.**
- 4]. If possible, mount ceiling fan on a ceiling joist - the joist must be able to support the motion and weight of the moving fan. If the fan will be mounted on a ceiling outlet box, a 4" x 2-1/8" deep METAL octagon box is required ; one CE listed as " suitable for fan support ". The box and its supporting members must not be able to twist or work loose. **DO NOT USE PLASTIC BOXES.** Installation on a concrete ceiling should be performed by qualified personnel.
- 5]. Blades should be attached after motor housing is hung and in place. Fan motor housing should be kept in carton until ready to be installed to protect its finish. If you are installing more than one ceiling fan, make sure that you do not mix fan blade sets.
- 6]. After making electrical connections, spliced conductors should be turned upward and pushed carefully up into outlet box. The wires should be spread apart with the grounded conductor and the equipment - grounding conductor on one side of the outlet box and the " HOT " wires on the opposite side.
- 7]. Electrical diagrams are for reference only. Light kits that are not packed with the fan must be CE listed and should be installed per the light kit's installation instructions.
- 8]. After fan is completely installed, check to make sure that all connections are secured to prevent fan from falling and/or causing damage or injury.
- 9]. The fan can be made to work immediately after installation. There is no need to oil your fan.  
The motor has permanently lubricated bearings.
- 10]. The fan must be turned off and stopped before reversing fan direction.
- 11]. **The fan is for downrod mount only.**
- 12]. **This fan is reversible.**
- 13]. **This fan is controlled by remote.**
- 14]. **This fan is suitable for damp location use.**

# Unpack and inspect fan carefully to be certain all contents are included.



## Hardware Bag

### For Mounting Bracket:

Flat Washer	x2		
Spring Washer	x2		
Machine Screw	x2		
Wood Screw	x2		

### For Blade Installation:

Blade Screw x 10 (one spare screw included)



### For Blade Balance :

Balanced slide x 1

Weight block (3G x 3)



## Remote \*Battery Included



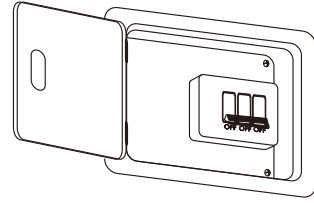
### Hardware Bag

Wood Screw x2



# WARNING: blades should be at least 7 feet from floor

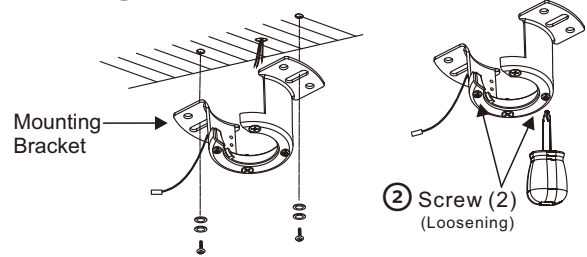
Turn off power at breaker box to avoid possible electrical shock.



## 1. HANGING SYSTEM INSTALLATION

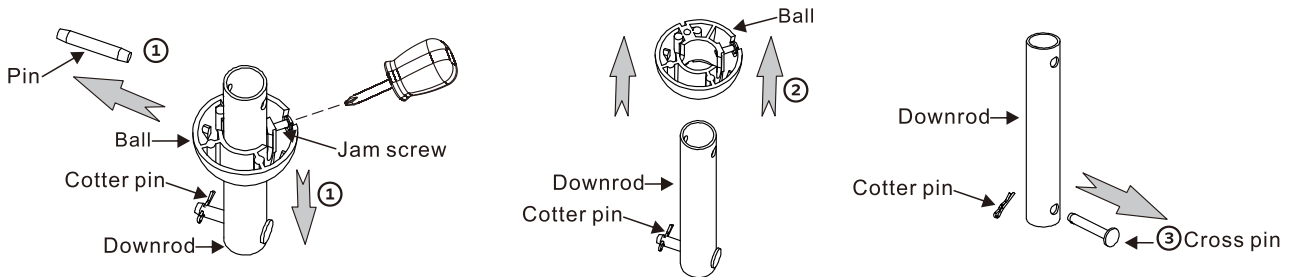
### 1A. Installing mounting bracket to ceiling

- ① Install mounting bracket to the ceiling by using screws and washers from the hardware bag.
- ② Loosen the bottom screws from Mounting Bracket. **Do not remove.**



### 1B. Installing Downrod and Yoke

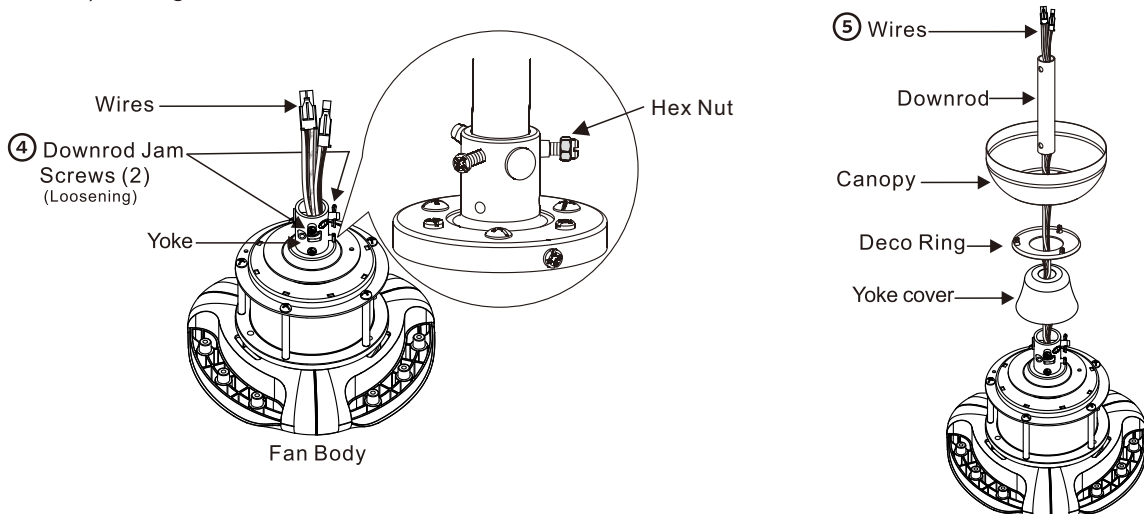
- ① Loosen the jam screw from the hanging ball and pull it down, remove the Pin from downrod and keep it for step ⑥.
- ② Remove the hanging ball and keep it for step ⑥.
- ③ Remove cross pin and cotter pin from downrod and keep them for step ⑧.



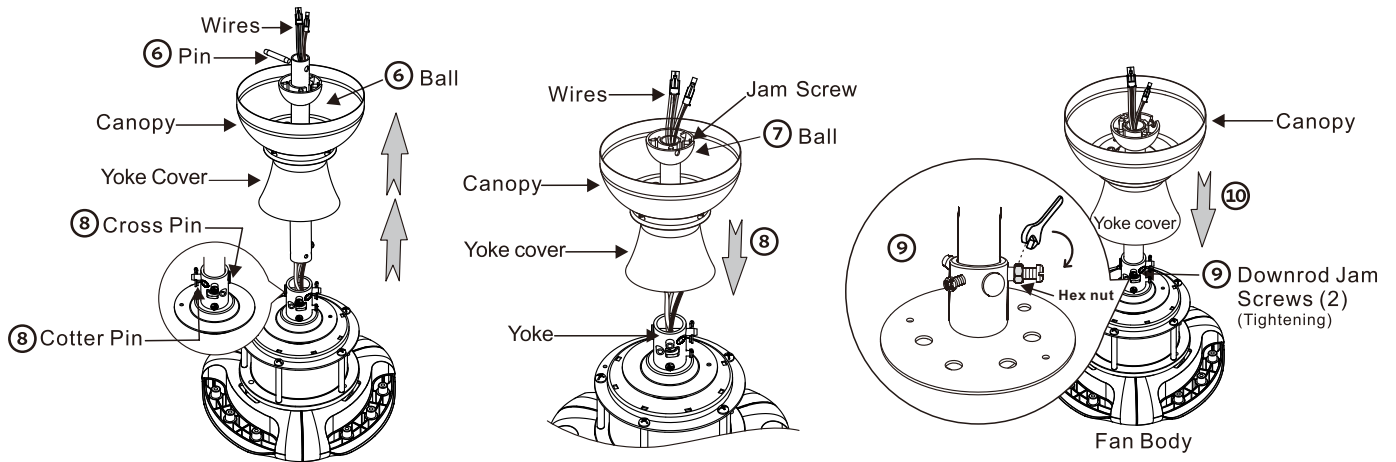
- ④ Loosen 2 downrod jam screws at yoke.

**\*Make sure the position of the Hex nut must be on side of jam screw head.**

- ⑤ Insert downrod through canopy and deco ring, yoke cover and feed motor lead wires (with 4 pin connector) through downrod.

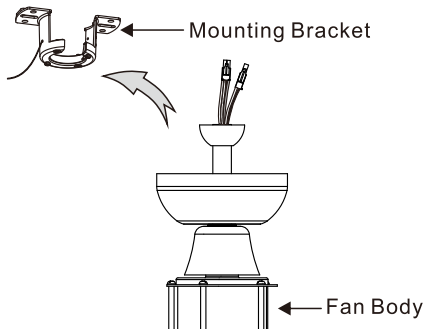


- ⑥ Insert hanging ball through downrod and insert the pin back into the downrod.  
(Removed from step ① and ②)
- ⑦ Tighten the jam screw back to hanging ball and make sure it is tight. (Loosen from step ①)
- ⑧ Insert downrod assembly into yoke, insert the cross pin through yoke & downrod and secure with cotter pin. (Removed from step ③)
- ⑨ Tighten 2 jam screws, use spanner to tighten Hex nut, so the jam screw will not loose.
- ⑩ Put down the Yoke cover Assembly.

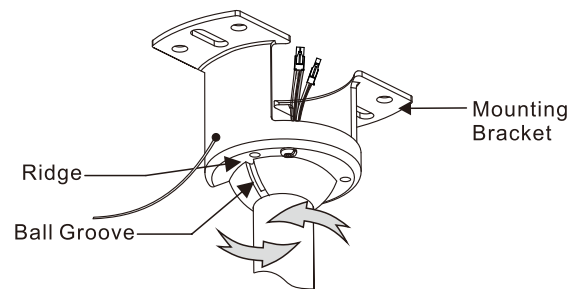


### 1C. Hanging the fan

- ① Lift fan assembly onto mounting bracket.



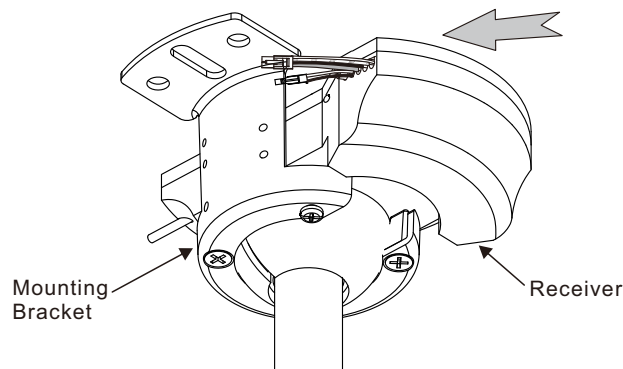
- ② Rotate fan so that the groove on the ball engages the ridge in the mounting bracket.



## 2. WIRE CONNECTION

### 2A. Insert receiver into mounting bracket

**NOTE:** Do not pinch the wires while inserting the receiver into the mounting bracket.



## 2B. Making electrical wire connection

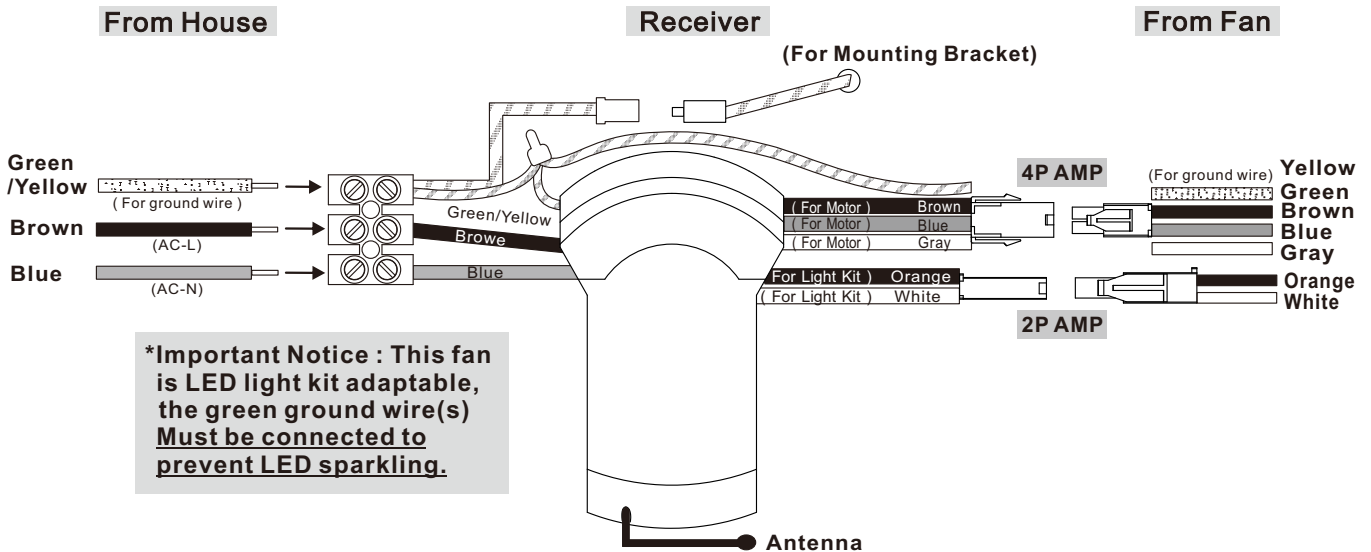
Follow diagram below and make sure that all exposed wires are secured inside terminal block and AMP connector. Note : Wires from house may vary in color and may not include ground wire ( yellow/ green ).

\*Brown wire from house to brown wire from Receiver.

\*Blue wire from house to blue wire from Receiver.

\*Ground wire from house to green wires from Receiver and from Mounting Bracket.

\*Connect 2P AMP & 4P AMP connector form Receiver and Fan.

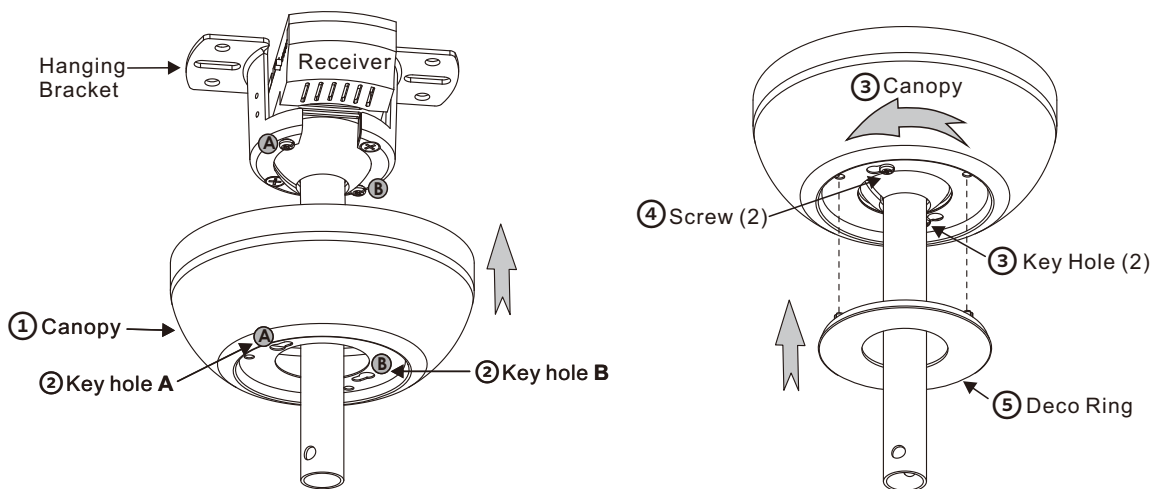


**NOTE:** Gently push wires into junction box with wire nuts pointing upward.

## 3. CANOPY INSTALLATION

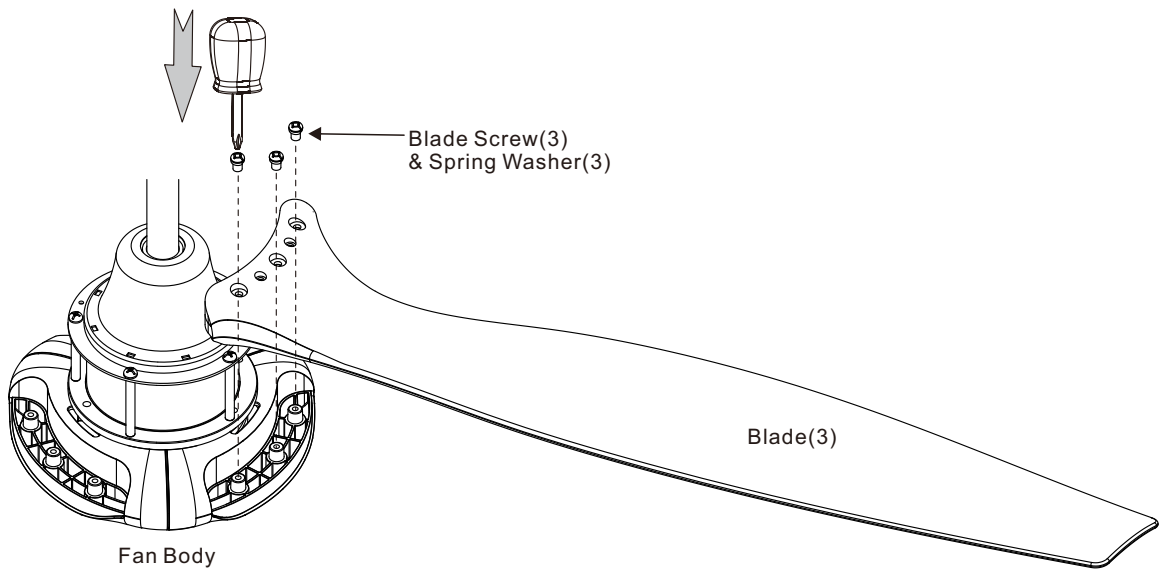
**Note:** Two screws are installed on mounting bracket for canopy installation.

- ① Push canopy up until the two pre-screwed screws on the mounting bracket are engaged with the two key holes on canopy.
- ② Before rotating the canopy, make sure Key hole A & B of the canopy correspond to A & B positions of the hanging bracket.
- ③ Rotate canopy slightly until the two pre-installed screw heads are engaged in the narrow end of key holes.
- ④ **Tighten both screws.**
- ⑤ Aligning the nubs from Deco Ring to 3 holes on the canopy, push Deco Ring up and snap into the canopy.

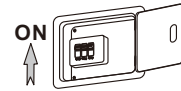


## 4. BLADE INSTALLATION

Attach blades to flywheel by using screws(3) & spring washer(3) provided from hardware bag.  
(\* Repeat until all 3 blades are installed firmly.)



5. Turn on power at breaker box for remote setting.



## 5.REMOTE SETTING

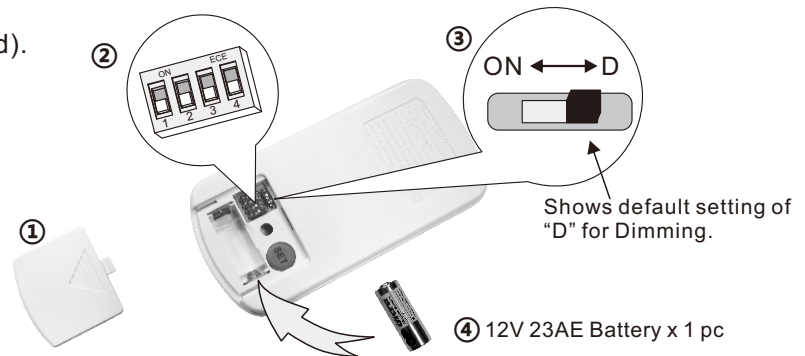
### 5A. Initial Settings (Back side of Transmitter)

#### 1. Code setting on TRANSMITTER.

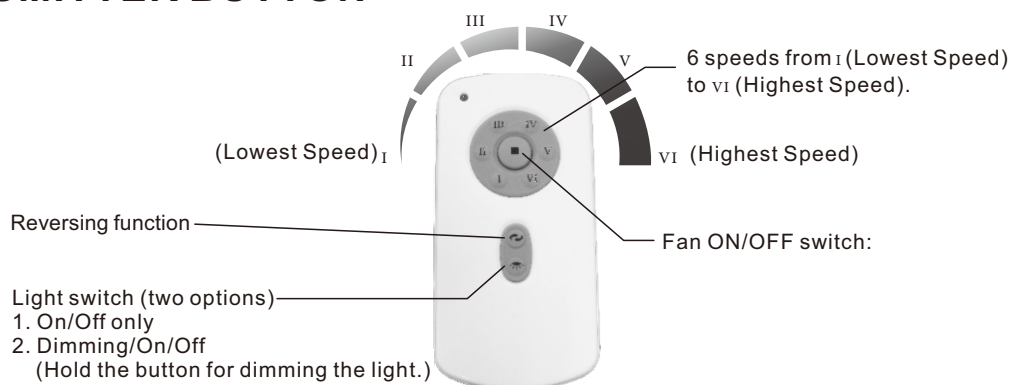
- ① Remove battery cover.
- ② FAN code setting:  
There are 4 switches for 16 possible code combinations just in case your house has other fans installed with the same codes. You may change your code switches by using a small screwdriver or ball point pen to slide each code switch up or down.
- ③ Light "On/Off-Dimming" dip switch:  
See below drawing ③  
\* **ON** = ON/OFF only  
\* **D** = Dimming/ON/OFF(Hold the button for dimming the light.)

The optional Light Kit for this fan uses a Dimmable LED Array, so this dip switch should remain in the "D" position unless ON/OFF only operation is desired.

- ④ Install 12V 23AE battery x 1 pc (included).



### 5B. TRANSMITTER BUTTON



**Your fan is ready for operation.**

### 5C. SETTING Process

#### **IMPORTANT:**

In the event of no operation, do the following to reset the remote :  
Switch off the main power and wait for 10 seconds, then switch on the power again and do the above setting again.



Press the button "**SET**" for 3-5 seconds until the fan starts reverse operation (clockwise).

Install battery cover on transmitter.

This fan is doing setting now and will do the following steps to complete its setting automatically.

- Reverse operation (clockwise) for about 1.5 minutes
- Stop
- Forward operation (anti-clockwise) for about 1.5 minutes
- Stop

After a total of 3 minutes, this fan has completed setting successfully!

**Attention: See "Special note" on Pg.8 and Pg.9 if you plan to install MULTIPLE FANS WITH DIFFERENT FREQUENCY CODES.**



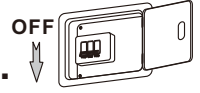
# Special Note

## To install multiple fans with different frequency codes.

If you are installing more than one fan in the same area, the remote setup can affect all fans in the area. To have precise control over each fan and light, each fan / remote must be set-up by itself. **To avoid frequency interference**, please do the following steps so the fans can be operated independently by its own remote.

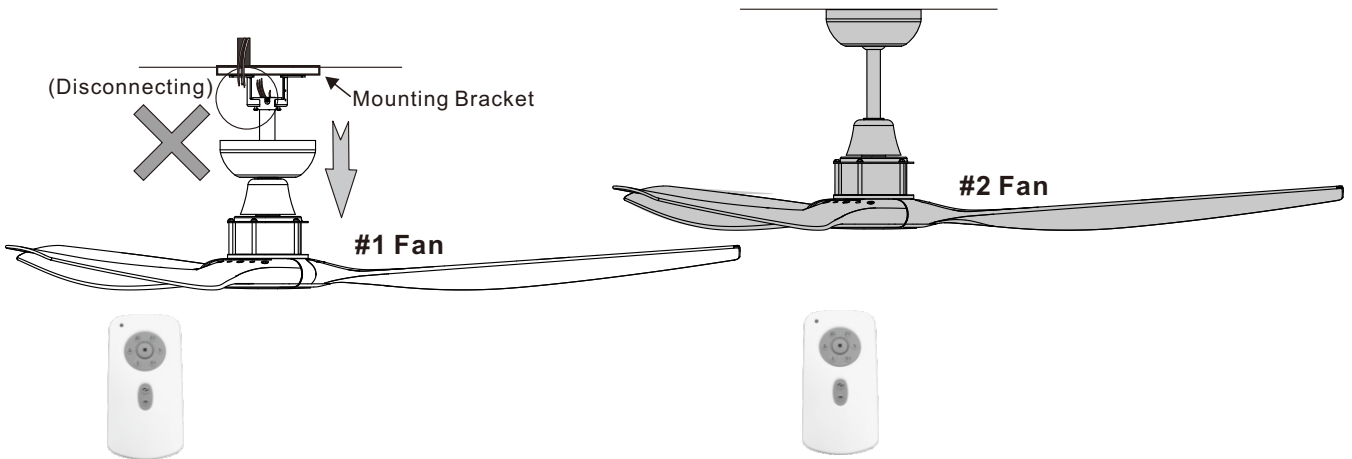
The following steps are based on the status of

- First DC fan (#1 fan) has completed its setting and is operating in good condition.
- Second DC fan (#2 fan) now is completing its assembling steps and ready for "set up".
- The main switch is "OFF".



### Make sure to turn off the power at breaker box for step 1.

1. Lower the canopy from the 1<sup>st</sup> Fan and disconnect the Brown wire. The 1<sup>st</sup> Fan will remember its current setting.



#1 Fan has completed its set up.

You are ready to set up the #2 Fan.

2. Remember to set a different Fan Code Setting on the 2<sup>nd</sup> fan, and follow the Remote Setting steps 6A through 6C from page 7.



#1 Fan

#2 Fan

## 6A. Initial Settings (Back side of Transmitter)

### 1. Code setting on TRANSMITTER.

- ① Remove battery cover.

- ② FAN code setting:

There are 4 switches for 16 possible code combinations just in case your house has other fans installed with the same codes. You may change your code switches by using a small screwdriver or ball point pen to slide each code switch up or down.

- ③ Light "On/Off-Dimming" dip switch:

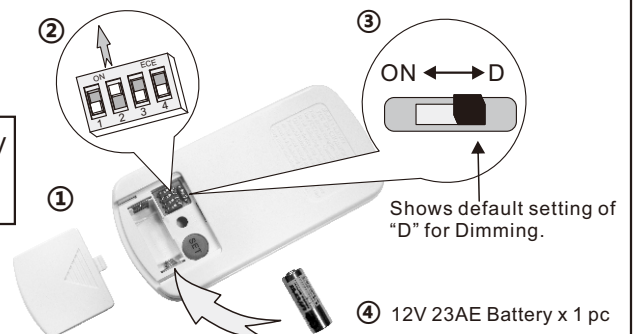
See below drawing ③

\* **ON** = ON/OFF only

\* **D** = Dimming/ON/OFF

The optional Light Kit for this fan uses a Dimmable LED Array so this dip switch should remain in the "D" position unless ON/OFF only operation is desired.

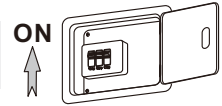
- ④ Install 12V 23AE battery x 1 pc (included).



Shows default setting of "D" for Dimming.

④ 12V 23AE Battery x 1 pc

## 6B. Turn on power at breaker box for remote setting.



## 6C. SETTING before starting fan

Press the "SET" button for 3-5 seconds until the fan starts to rotate in reverse operation (clockwise). Install battery cover on transmitter.

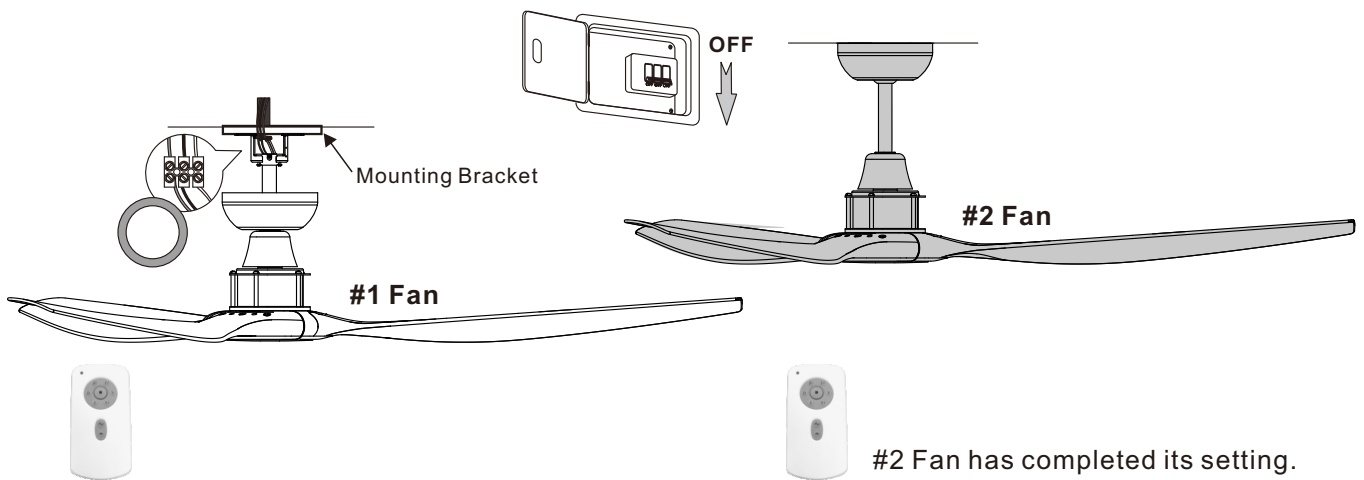
The setting process is in progress, the following occurs automatically.

- ┌ Reverse operation (clockwise) for about 1.5 minutes
- ├ Stop
- ├ Forward operation (counterclockwise) for about 1.5 minutes
- └ Stop

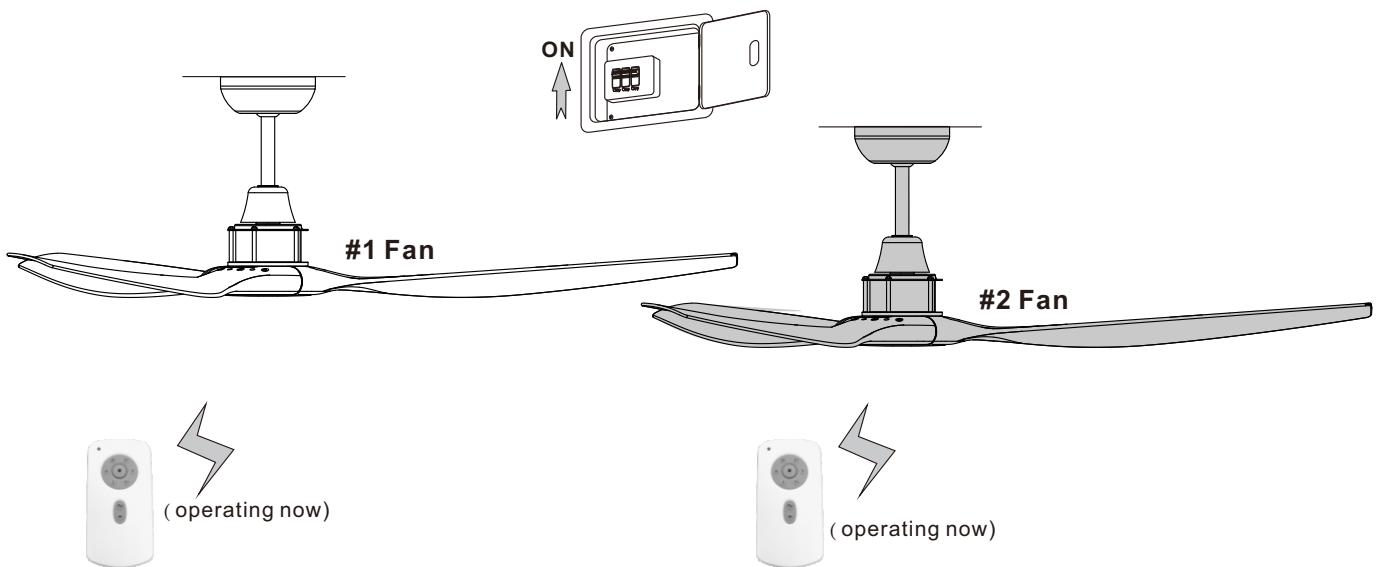


**After a total of 3 minutes of its setting operation, this fan has completed the setting process successfully!**

3. Turn off the power from main switch and install the Brown wires from Receiver and House to the 1<sup>st</sup> Fan which was previously removed from **step 1 (see step 1 in Pg.8)**



4. Turn on the power from the main switch. The two fans are now operated individually by its own remote.



**NOTE:** For more than two fans, the same rules apply. Make sure only one fan at a time is connected to power when doing the Remote Setting. Fans that have completed the setting process should be disconnected until all fans have completed the Remote Setting process.